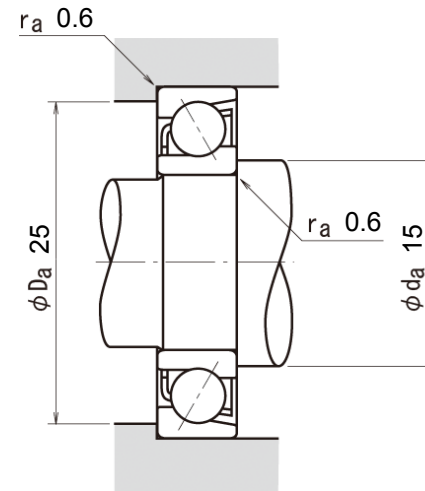
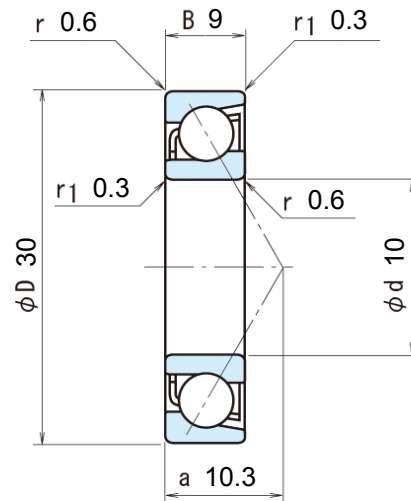


Boundary Dimensions (mm)					Basic Load Ratings (kN)		Limiting Speeds (min ⁻¹)		Bearing Numbers	NSKHPS
<i>d</i>	<i>D</i>	<i>B</i>	<i>r</i> min.	<i>r1</i> min.	<i>C_r</i>	<i>C_{0r}</i>	Grease	Oil		
10	30	9	0.6	0.3	5.4	2.71	22000	30000	7200AW	



Factor	Mass (kg) approx.
<i>f</i> ₀	approx.
-	0.032